



B3

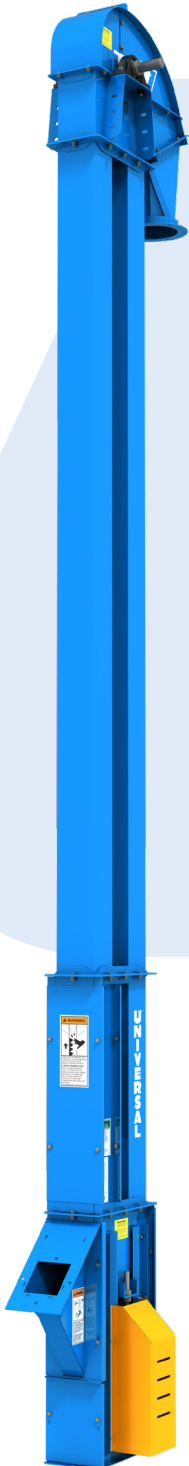
**GENTLE, EFFICIENT
HANDLING FOR SEEDS AND
OTHER BULK MATERIALS**

BUCKET ELEVATORS

*up to 375 ft³/h
(10 m³/h)
300 BPH*

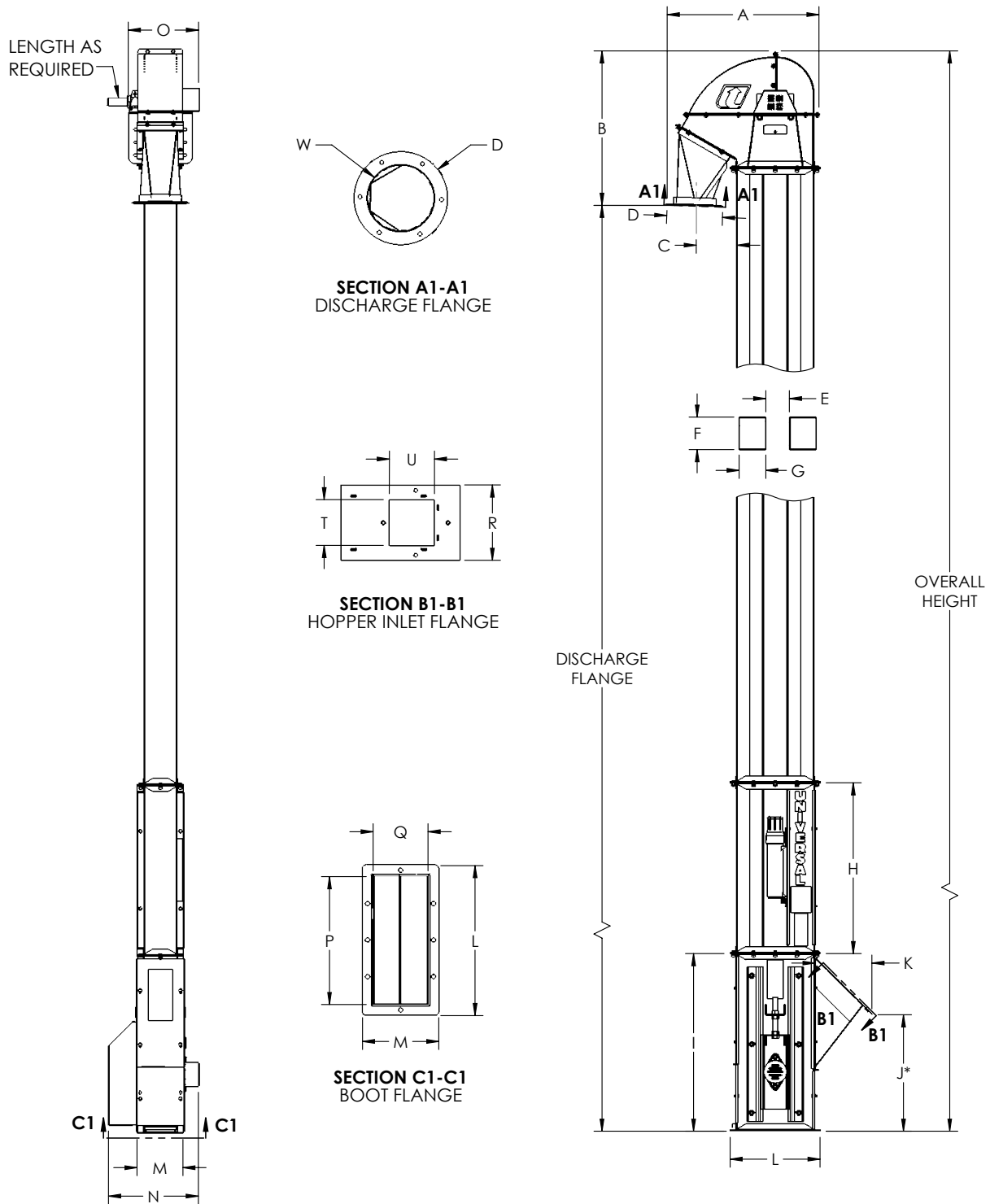
EXCLUSIVE “EASY DUMP®” DESIGN
(B3-75ED only)

SPECIFICATIONS



Model	B3-75ED	B3-200	B3-300
Capacity - Free Flowing Material @ 110% Waterline Bucket Fill	75 BPH 94 ft ³ /hr 2.7 m ³ /h	200 BPH 250 ft ³ /hr 7 m ³ /hr	300 BPH 375 ft ³ /hr 10 m ³ /h
Short TPH @ 50 lbs/Ft. ³	2.25	6.25	9.25
MTPH @ 50 lbs/Ft. ³	2	5	8
Short TPH @ 75 lbs/Ft. ³	3.5	9.3	14
MTPH @ 75 lbs/Ft. ³	3	8	12
Belt Speed FPM	100 (0.51m/s)	189 (0.96m/s)	278 (1.41m/s)
Head Shaft RPM	90	170	250
Bucket Spacing	3-1/4" (82.55mm) Center Spacing		
Head Casing	14 Ga.		
Head Shaft Bearings	Sealed Pilled Block Ball Bearing		
Head Pulley	4-1/2" (114.3mm) Dia. w/ Vulcanized Rubber Lagging		
Buckets	3-3/4" x 3" (95.25mm X 76.2mm) HDPE Optional Carbon Steel Available		
Belting	4" (101.6mm) Wide PVC or Rubber		
Legging	16 Ga. Twin Leg Seam Welded Columns		
Boot Casing	12 Ga.		
Boot Shaft Bearings	Sealed Two Bolt Flange Ball Bearing		
Boot Pulley	4-1/2" (114.3mm) Dia. Self-Cleaning Spoke Pulley		
Construction	Powder Coated Carbon, Galvanized, or Stainless Steel		
Drive Package	Optional		
Motor	Optional		
Lining Options	Consult Factory		
*Units in Parenthesis are Metric (mm)			

Model B3



Unit	A	B	C	D	E	F	G	H	I	J	K	L	M	N	O	P	Q	R	T	U	W
in	23½	24	6¼	8¾	3¾	5	4¼	26½	27½	18	9	14	7	14	11	12	5	7	4¼	4¼	6¼
mm	597	607	159	219	93	128	105	672	699	458	224	354	180	353	279	302	129	178	108	106	156

NOTE: Unit application, location and specifications determine the type, quantity and/or placement of electrical, electrical safety or other safety controls required. Whether these controls are supplied by Universal Industries or another supplier, all OSHA safety and health standards, the National Electrical Code and local codes must be met and followed. *Because we constantly strive to provide the finest material handling equipment, establishing industry standards, specifications must remain subject to change without notice.*